

## VIP TURNSTILE

# T 230 Motorized VIP Turnstile



## TURNSTILE



DISABLED PASSAGE , ELEGANT DESIGN  
VIP PASSAGE , LONG LIFE , RELIABLE  
PRODUCT , SPARE PART SUPPORT ,  
LED AND LOGO CUSTOMIZATION

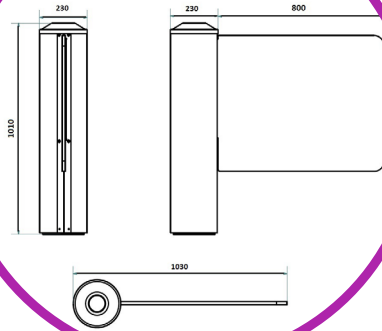
T 230 M. VIP Gate serves as an alternative passage lane for people with disabled chair and for other VIP passage purposes. Thanks to its stylish design and outlook, it can suit any interior.

**Application:** T 230 M.VIP Gate can be installed in various interior locations like banks, ministries, administrative offices, public transportation centers as a VIP lane, business centers and other similar sites.

**Basic Materials:** T 230 M.VIP Gate is produced in 1,5 mm AISI 304 stainless steel body and plexy glass wing , which can optionally be produced with reinforced glass material. LED lights can be applied to the top cover or to the wing of T 230 M.VIP Gate .Also it is possible to engrave logo on the wings. The electronic boards are designed by the qualified engineers of Makim, enabling T 230 M.VIP Gate work in various modes and entegrations together with the special PLC.

**General Use:** T 230 M.VIP Gate motorized VIP gate works bi-directionally. Any kind of access control system like card reader, biometric reader, remote control unit or push button can be connected to T230 via simple dry-contact. Once the access right is granted, T 230 M.VIP Gate will open automatically, in 90° width. The gate stays in open position for 15 seconds and then closes & locks itself again. This open-waiting time can be changed on the PLC settings. T 230 M.VIP Gate is especially suitable for disabled and VIP purposes, that's why it is suggested to use Makim tripod turnstiles or HG Gates next to T 230 M.VIP Gate , to provide a lane for the main flow.

**Safety:** In case of power cut, T 230 M.VIP Gate is unlocked to allow free passage in both directions. As an alternative, battery can be used to keep standard working mode of T 230 M.VIP Gate for a certain while in case of power cut.



## Specifications

Control /Operation Voltage:	24VDC +/-20%
Power Consumption	: 30W
Body	: Stainless Steel Body
Operation Temperature	: - 10° C - + 50° C
Dimensions (Body)	: Ø 230 x 990 mm
Dimensions (Wing)	: 800 mm
Dimensions (Wing)	: 15 mm transparent plexiglass ( Optional 10 mm glass)
Weight	: 35 kg
Locking	: With 24 V DC electromagnetic brake.
Control	: 24 V DC electronic control board with programming function.
Installation	: Simple & easy installation with a special pedestal.

**MAKIM®**

makim.com.tr  
makimaccesscontrol.com  
makimturnstile.com

### Factory

Address: Sincan Organize Sanayi Bölgesi, Erkunt Cad. No: 20  
Sincan ANKARA  
Tel: +90 (312) 267 56 87 Faks: 0 (312) 267 56 99  
satis@makim.com.tr

### Branch

Address: Perpa Ticaret Merkezi, B Blok Kat: 7-8 No: 987-989  
Şişli İSTANBUL  
Tel: +90 (212) 210 29 41 Faks: 0 (212) 210 68 15  
sube@makim.com.tr